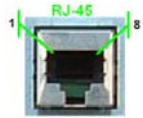


UTAH-400 Data Rear View

Wednesday, May 16, 2007

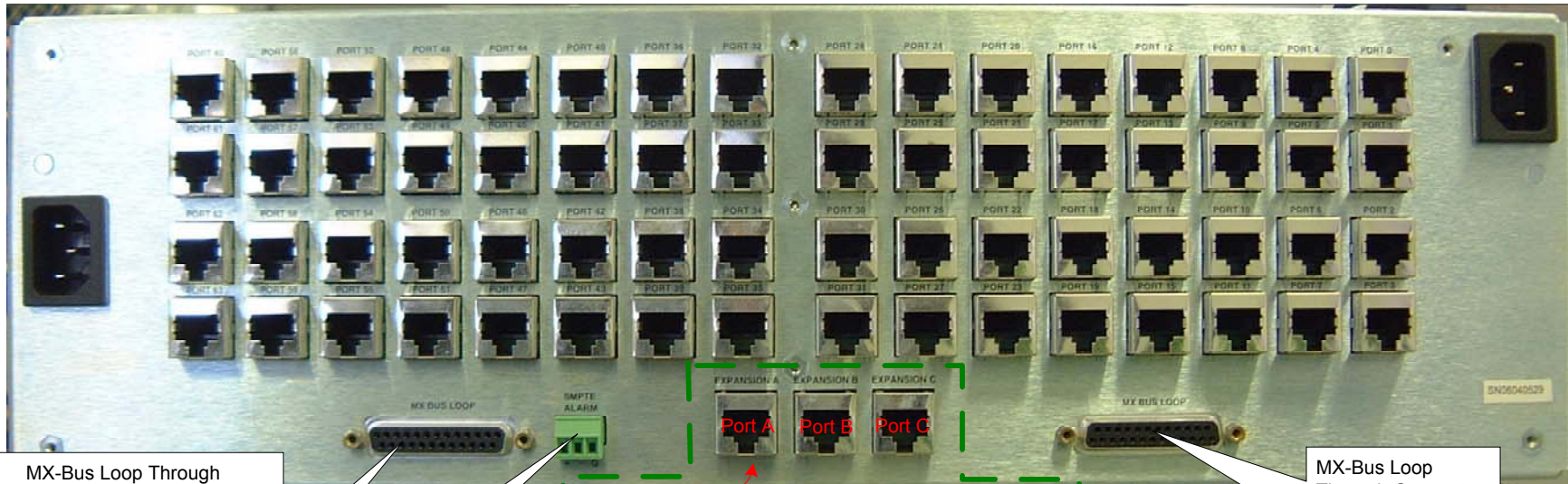


Serial Data Connector Pinouts Tributary Mode

1&2 = gnd, 3 = TX Common, 4 = TX-, 5 = TX+, 6 = RX Common, 7 = RX+, 8 = RX-

Serial Data Connector Pinouts Controller Mode

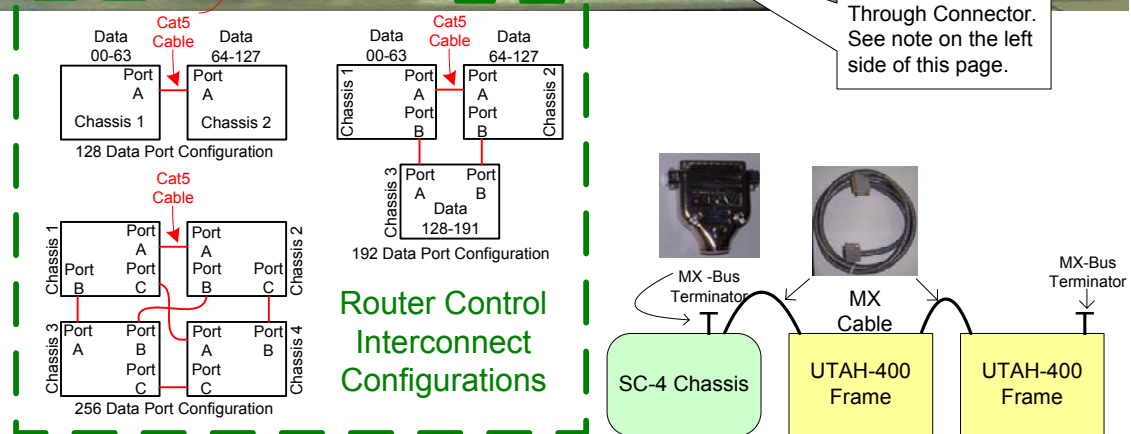
1&2 = gnd, 3 = RX Common, 4 = RX-, 5 = RX+, 6 = TX Common, 7 = TX+, 8 = TX-



MX-Bus Loop Through
Connect to one of the two MX-bus
connections on the SC-4 or
another router frame. Both MX
ports must be terminated, either on
the SC-4 or at the router chassis.
Maximum length of 300 feet.
See block diagram below for a
typical installation.

SMPTE Alarm
Relay closure
indicating over
temperature, power
supply or fan failure

MX-Bus Loop
Through Connector.
See note on the left
side of this page.



UTAH-400 Data Front View

Wednesday, May 16, 2007

